

SPV

兩料比例閥 Proportional Valve



CE



信譽保證
合格證



吸料

L 型腳架

SVH 電眼料斗

SAL-800G 填料機

SPV 兩料比例閥

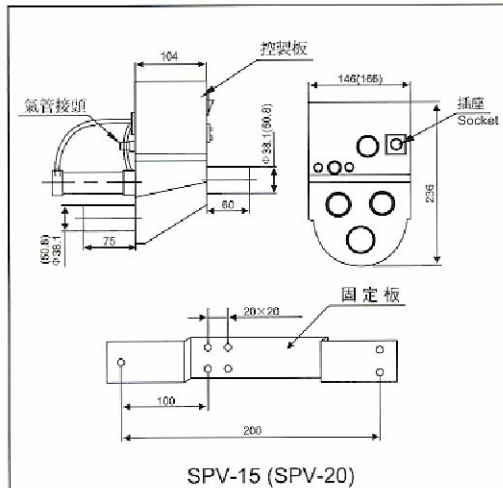
MST 儲料桶

SPV-15

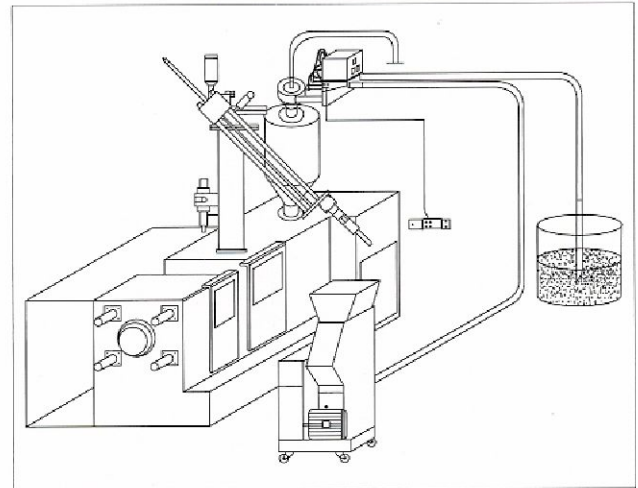
中國專利號: ZL 00 2 27210.5

The SPV series of proportional valves offer a simple, economical, highly accurate way to mix regrind and new material in a proper proportion back to the process machine, on the control panel of SPV, you can set the time of loading regrind and new material. The SPV is quickly and easily connected to the hopper loader or installed by the process machine.

Size of SPV



SPV installation diagram



Feature:

1. An integral unit design is easy for installation and operation.
2. Special U-chamfer design, conveying the material is more smoothly.
3. Digital timer is more easy for time setting.
4. The performance of magnetic valve is so stable that the air cylinder acts accurately, therefore the proportion of new and regrind material is very accurate.
5. Instant recycling the regrind material reduces the production costs.

機型 Model	電源 Power	驅動力 Air Power	驅動方式 Driving system	最大通過量 Max. Through-put Capacity	配管尺寸 Size of Tubing	外型尺寸 External Dimension H W D	重量 Weight(kg)
SPV-15	1 φ 220V/380V	高壓空氣3kg/cm ² High Pressure Air	氣缸 Air cylinder	350kg/hr	38mm	250×300×140	4.5
SPV-20	1 φ 220V/380V	高壓空氣3kg/cm ² High Pressure Air	氣缸 Air cylinder	550kg/hr	50.8mm	250×300×140	3.2

We reserve the right to change specifications without prior notice.