

Compressed air dryer

SCAD integrates plastic drying and conveying into one unit, which is especially applicable to injection moulding machine and stand injection moulding machine when limited by height of the workshop. The SCAD adopts positive compressed air to load material so it has low noise level and low energy consumption. Euro design is feature with beautiful appearance and convenient maintainance. The hot and dry air is formed by sending outfitted compressed air into electrical heater. Unique down-blowing air pipe design makes hot air evenly spread to achieve the sufficient drying effect.

Features:

- Adjustable material level switch is a standard equipment which can adjust material handling capacity according to customer requirements.
- Stainless steel made hopper ensures no material contamination.
- No need of blower and the driven power is air source without any environment pollution.
- Hot air recycler can not be installed.
- Adopts positive compressed air to load with little noise and low energy consumption.
- 24-hour auto switch as an option that offers customer a flexible start /stop settings.
- Equipped with overheat protector to prevent overheat drying temperature.
- Equipped with air outlet filter to filter the discharging dry air.
- Equipped with indicator.
- Little space occupation and easy for transportation and installation, also allow applicable model replacement as you pleased.



SCAD-12U-T

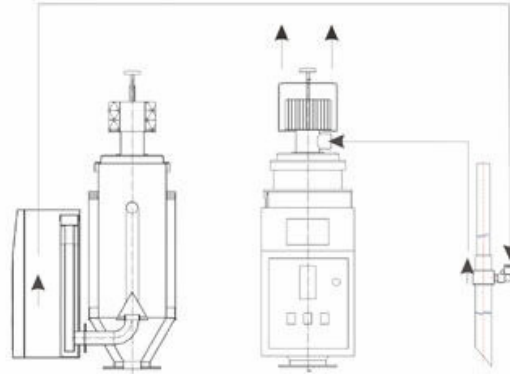


Material level adjustable switch

Working Principles

Drying principle : In normal start condition, high pressure airflow is sent into heating cabinet by the opening and closing of solenoid valve, then after passing through air enlarging pipe, the air comes to electrical heater to get heat up and blown up to drying hopper to dry up material, finally get discharged after filtering.

Loading principle: High pressure air is controlled by solenoid valve to blow up material to hopper, then the air is discharged from filter.



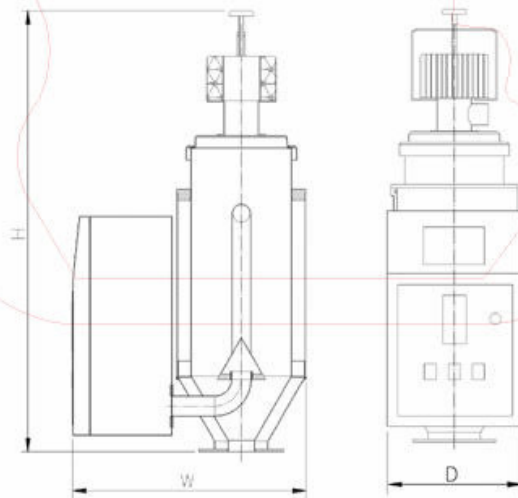
Specifications

Model	Dryer model	Heater power (W)	Loader model	Loading capacity (kg/hr)	Dimensions D × W × H (mm)	Weight(kg)
SCAD-12U	Similar to DH-12U (8kg effective volume)	1.8	Similay with VL-50	30	258 × 440 × 824	23
SCAD-20U	Similar to DH-12U (8kg effective volume)	1.8	Similay with VL-50	30	290 × 480 × 1055	28

Note: 1) Suitable positive air pressure is 4-6kg/cm².
2) Install timer and add "T" to the back of the model.

We reserve the right to change specifications without prior notice

Outline Drawing



Shini Plastics Technologies, Inc.

Corporate Strategic Center:
Jinshagang Industrial Zone, Dalang,
Dongguan, Guangdong, P.R.China.
Telephone: +86 (0)769 8331 3588
Facsimile: +86 (0)769 8331 3589
Email: shini@shini.com
www.shini.com