

Dehumidifying Dryers

The SDD series dehumidifying dryers combine a dehumidifying and drying system in a single unit. They have many applications in processing plastic materials, especially for drying hygroscopic materials such as PA, PC, PBT, PET, etc. We offer two types of honeycomb rotors: H4 and H5 models that, under ideal conditions, can supply dehumidified dry air with a dew-point down to -40°C and -50°C respectively. All models feature SD-H honeycomb dehumidifiers with built-in process heater, and insulated drying hopper. The SDD series offers accurate PID temperature control as standard, with LCD touch screen, dew-point monitor, and hopper loaders as optional features.

Features:

- The SDD dehumidifying dryers use honeycomb dehumidifiers with an eye-catching semi-integral appearance.
- Each model combines dehumidifying and drying functions into a single unit.
- Material processing is controlled via microprocessor as standard, with touch screen PLC control as an option for more convenient control.
- Insulated drying hopper features dry air down-blowing and cyclone exhaust design. This improves drying efficiency and reduces energy consumption whilst maintaining a steady drying effect.
- Compact in size for ease of movement and space saving.
- The dehumidifying section of the SDD series features two condensers to ensure a low return air temperature and low dew-point.
- Dew-point monitor can be fitted to check dry air dew-point.
- Optional suction box and hopper loader for added convenience when conveying material.



SDD-160U/120H5-LC-D



SDD-160U/120H5

Specification

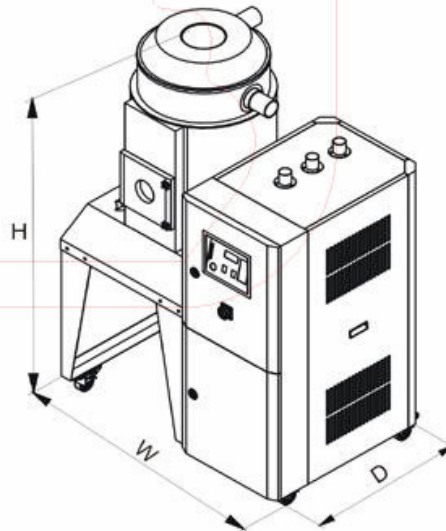
Model	Insulated hopper (L)	Process heater (kw)	Process blower (kw) (50/60Hz)	Dry air capacity (m ³ /hr) (50/60Hz)	Regen. heater (kw)	Regen. blower (kw) (50/60Hz)	Dimensions (mm) H×W×D	Weight (kg)
20U/30H	20	3	0.18 / 0.2	32 / 40	3	0.18 / 0.2	1300 × 875 × 700	110
40U/30H	40	3	0.18 / 0.2	32 / 40	3	0.18 / 0.2	1300 × 940 × 700	120
40U/50H	40	3.9	0.4 / 0.5	55 / 65	3	0.18 / 0.2	1300 × 940 × 700	130
80U/50H	80	3.9	0.4 / 0.5	55 / 65	3	0.18 / 0.2	1450 × 1050 × 700	160
120U/80H	120	6	0.75 / 1.1	85 / 90	3.5	0.18 / 0.2	1450 × 1050 × 730	170
160U/80H	160	6	0.75 / 1.1	85 / 90	3.5	0.18 / 0.2	1725 × 1250 × 730	210
160U/120H	160	6	1.5 / 1.9	125 / 135	3.5	0.18 / 0.2	1725 × 1150 × 730	230
230U/120H	230	6	1.5 / 1.9	125 / 135	3.5	0.18 / 0.2	2010 × 1150 × 1100	240
230U/150H	230	7.2	1.5 / 1.9	152 / 165	4	0.4 / 0.5	2010 × 1270 × 1100	315
300U/150H	300	7.2	1.5 / 1.9	152 / 165	4	0.4 / 0.5	2010 × 1400 × 1100	345
300U/200H	300	12	1.5 / 1.9	205 / 220	5.4	0.4 / 0.5	2010 × 1400 × 1100	355
450U/200H	450	12	1.5 / 1.9	205 / 220	5.4	0.4 / 0.5	2360 × 1400 × 1100	385
450U/300H	450	15	2.2 / 2.6	300 / 340	7.2	0.75 / 1.1	2360 × 1400 × 1100	400
600U/300H	600	15	2.2 / 2.6	300 / 340	7.2	0.75 / 1.1	2360 × 1575 × 1100	440
600U/400H	600	18	3.4 / 3.7	420 / 450	7.2	0.75 / 1.1	2635 × 1975 × 1360	480
750U/400H	750	18	3.4 / 3.7	420 / 450	7.2	0.75 / 1.1	2635 × 1975 × 1360	500
750U/500H	750	21	5.5 / 6.3	520 / 550	10	1.5 / 1.9	2910 × 1975 × 1360	510
900U/500H	900	21	5.5 / 6.3	520 / 550	10	1.5 / 1.9	2910 × 2300 × 1360	540
900U/700H	900	24	5.5 / 6.3	690 / 720	10	1.5 / 1.9	2910 × 2300 × 1360	550
1200U/700H	1200	24	5.5 / 6.3	690 / 720	10	1.5 / 1.9	2910 × 2300 × 1360	600

Remark: Power supply: 3Φ, 230/400/460/575V, 50/60HZ.

We reserve the right to change specifications without prior notice.

Optional Features

- Under ideal conditions, H5 models can supply dehumidified dry air with a dew-point of -50°C.
- LCD touch screen PLC controller.
- Dew-point monitor with digital display to check the dry air dew-point.
- Mirror polished treatment on all material contact surfaces.
- High efficiency particulate(HEPA) air filter.
- Suction box and hopper loader for added convenience when conveying material.



Member of SHINI Group

SHINI PLASTICS TECHNOLOGIES, INC.

Headquarters & Factory:

23, Minhe St., Shulin City,
Taipei, Taiwan

Tel: (886) 2 2680 9119

Fax: (886) 2 2680 9229

Email: taipei@shini.com

South China Factory:

Jinshagang Industrial Zone, Dalang,
Dongguan, Guangdong, China

Tel: (86) 769 8331 3588

Fax: (86) 769 8331 3589

Email: dongguan@shini.com

East China Factory:

Daxie Development District, Ningbo,
Zhejiang, China

Tel: (86) 574 8671 9088

Fax: (86) 574 8676 5988

Email: ningbo@shini.com

 www.shini.com