



SHD-U Series

"Euro" Hopper Dryers

The SHD-U series "Euro" hopper dryers adopt hot air down-blowing design and use stainless steel material hoppers to avoid contamination. With this design, they are also ideally suited for use with honeycomb dehumidifiers to dry engineering plastics. There are 25 models, ranging from 20 to 8000 liters with airtight material cleaning doors SHD-80U and above. The microprocessor control featuring digital display and auto start/stop timer are equipped as standard.

Features:

- Innovative design with sleek appearance.
- Hot air down-blowing design ensures even distribution of hot air to maintain a steady temperature in the hopper and increase drying efficiency.
- All material contact surfaces are made from stainless steel.
- Material clearance door seal and makes clean down more convenient and effective. (models SHD-80U and above).
- Microprocessor is used for accurate temperature control.
- Overheat protection to ensure reliable operation.
- Digital P.I.D temperature control with LED display.
- 7 days automatic start/stop timer to improve energy saving.
- Equipped with main power switch and control switch.
- Aluminum base as a standard equipment, stainless steel as an option.
- Option accessories : magnetic base (aluminum or stainless steel), mobile floor stand, suction box, hot air recycling, exhaust air filter, blower inlet filter, etc.



SHD-300U



Standard Base



SHD-80U+Floor Stand
And Suction Box



Optional Accessories



MR5

▶▶ Hopper Magnetic

Work with base to absorb metal scraps in the material so to avoid the damage of molding screw.



MR11

Model	Applicable Model	Aluminum Holder
MR3	SHD-80U	(100 × 80 × 3) × 2
	SHD-300U	(155 × 105 × 3) × 2
	SHD-600U	(190 × 130 × 3) × 2
MR5	SHD-20U	(160 × 80 × 3) × 2
MR7	SHD-40U-80U	(210 × 80 × 3) × 2
MR9	SHD-160U-600U	(260 × 80 × 3) × 2
MR11	SHD-900U and above	(298 × 80 × 3) × 2

Euro-style Suction Box

Euro-style in appearance design, work with dryer with floor stand and vacuum loader, convenient in material suction and discharging.

SBU	Model	SHD-20U~120U	SHD-160U and above
	38mm single tube	20-38S	160-38S
	50mm single tube	20-50S	160-50S
	38mm double tube	20-38D	160-38D
	50mm double tube	20-50D	160-50D

Note: 1) Install pneumatic shut off valve (plus "V" at the back of model);
2) Change into stainless steel (plus "S" at the back of model);
3) Stainless steel polishing (plus "P" at the back of model).



SHD-20U~750U Applicable

▶▶ Floor Stand

Combine with dryer and material loader, can move mainbody out of factory to avoid height limitation.



SHD-900U~8000U Applicable

Model	Applicable Model	Dimensions (mm)		
		Length (mm)	Width (mm)	Height(mm)
FSU-20	SHD-20U	660	450	755
FSU-40	SHD-40U			
FSU-80	SHD-80U / SHD-120U	722	552	815
FSU-160	SHD-160U / SHD-230U	795	652	820
FSU-300	SHD-300U / SHD-450U	930	790	865
FSU-600	SHD-600U / SHD-750U	1200	1000	1020
FSU-900	SHD-900U / SHD-1200U	1200	1200	1330
FSU-1500	SHD-1500U / SHD-2000U	1500	1500	1240
FSU-2500	SHD-2500U ~SHD-3500U	1640	1640	1500
FSU-4000	SHD-4000U ~SHD-5500U	1900	1900	1920
FSU-6000	SHD-6000U ~ SHD-8000U	2100	2100	2100



Blower Inlet Filter

Effectively filters 80% dust-contain air from dryer so to avoid air pollution

Model	Filtering Barrel Dia. (Mm)	Air Inlet Pipe Dia. (mm)	Air Outlet Pipe Dia. (mm)	Applicable Models	Fixed Plate	Blower Flange (With air capacity adaptor)
AIF-20U	159	38.1	50.8	SHD-20U	SHD-20U	2.5 " blower inlet flange
AIF-40U				SHD-40U	SHD-40U	
AIF-80U	225	50.8	76.2	SHD-80U~120U	SHD-80U	3 " blower inlet flange
AIF-160U	225	63.5	76.2	SHD-160U~230U	SHD-160U	4 " blower inlet flange
AIF-300U	225	63.5	101.6	SHD-300U~450U	SHD-300U	5 " blower inlet flange
AIF-600U	225	76.2		SHD-600U~750U	SHD-600U	
AIF-900U	225	101.6		SHD-900U~1200U	SHD-900U	1.1kw blower inlet flange



Hot Air Recycler

Work with hopper dryer semi-hermetic circulated loop, it has features as follows:

- 1) Hot air recycling and circulating so to avoid indoor temp. rise up.
- 2) Keep the factory clean and ensure product quality.
- 3) Save the energy consumption up to 40% due to the heat brings by hot air circulating.
- 4) Economical and compact in design make itself suitable for all the hopper dryers
- 5) Adjustable air supplier.

Model	Filtering Barrel Dia. (mm)	Air Inlet Dia. (mm)	Air Outlet Dia. (mm)	Applicable Models	Fixed Plate	Blower Flange (With air capacity adjustor)
HAR-20U	159	38.1	50.8	SHD-20U	SHD-20U	2.5 " blower inlet flange
HAR-40U				SHD-40U	SHD-40U	
HAR-80U	225	50.8	76.2	SHD-80U~120U	SHD-80U	3 " blower inlet flange
HAR-160U	225	63.5	76.2	SHD-160U~230U	SHD-160U	4 " blower inlet flange
HAR-300U	225	63.5	101.6	SHD-300U~450U	SHD-300U	5 " blower inlet flange
HAR-600U	225	76.2		SHD-600U~750U	SHD-600U	
HAR-900U	225	101.6		SHD-900U~1200U	SHD-900U	1.1kw blower inlet flange

Exhausted Air Filter

Effective filters 90% dust-contain air from dryer so to avoid air pollution



Model	Filtering Barrel Dia. (mm)	Air Inlet Dia.	Air Outlet Dia.	Applicable Models	Fixed Plate
ADC-20U	159	38.1	50.8	SHD-20U	SHD-20U
ADC-40U				SHD-40U	SHD-40U
ADC-80U	225	50.8	76.2	SHD-80U~120U	SHD-80U
ADC-160U	225	63.5	76.2	SHD-160U~230U	SHD-160U
ADC-300U	225	63.5	101.6	SHD-300U~450U	SHD-300U
ADC-600U	225	76.2		SHD-600U~750U	SHD-600U
ADC-900U	225	101.6		SHD-900U~1200U	SHD-900U



Magnetic Base

Including aluminum and stainless steel type, can work with dryers to effectively absorb the metal scraps so to avoid material pollution.

Model	Applicable Models	Magnetic Frame
MB12	SHD-20U	MR3
MB50	SHD-40U / 80U / 120U	
MB100	SHD-160U / 230U / 450U	
MB400	SHD-600U and above	

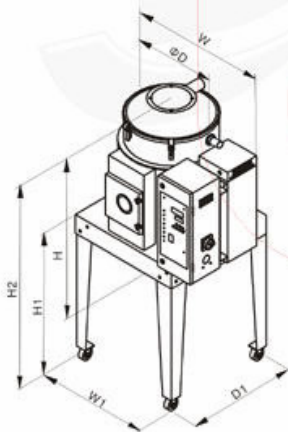
Note: Add "SS" to the back of stainless steel model .

Specifications

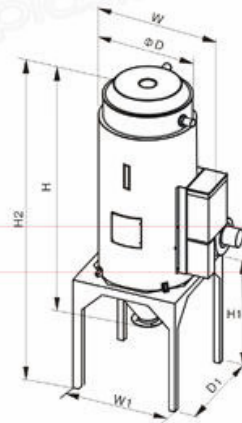
Model	Loading Capacity (L)	Heater Power (kw)	Blower (w)	Dimensions (mm) H × W × D	Floor Stand (mm) H1 × W1 × D1	Whole Height (mm) H2	Weight (kg)
SHD-20U	20	2	90 / 108	730 × 575 × 325	755 × 450 × 660	1228	18
SHD-40U	40	3	90 / 108	760 × 640 × 390	755 × 450 × 660	1260	25
SHD-80U	80	3.9	200 / 240	940 × 772 × 472	815 × 552 × 722	1440	50
SHD-120U	120	3.9	200 / 240	1210 × 722 × 472	815 × 552 × 722	1709	60
SHD-160U	160	6	250 / 300	1225 × 822 × 572	820 × 652 × 795	1725	90
SHD-230U	230	6	250 / 300	1505 × 822 × 572	820 × 652 × 795	2005	100
SHD-300U	300	12	400 / 480	1510 × 945 × 695	895 × 790 × 930	2010	130
SHD-450U	450	12	400 / 480	1860 × 945 × 695	895 × 790 × 930	2360	160
SHD-600U	600	18	750 / 900	1860 × 1170 × 920	1020 × 1000 × 1200	2360	200
SHD-750U	750	18	750 / 900	2135 × 1170 × 920	1020 × 1000 × 1200	2670	220
SHD-900U	900	24	1100 / 1320	2410 × 1300 × 1050	1420 × 1200 × 1200	2530	250
SHD-1200U	1200	24	1100 / 1320	2840 × 1300 × 1050	1420 × 1200 × 1200	2780	376
SHD-1500U	1500	32	1500 / 1800	2950 × 1542 × 1250	1620 × 1500 × 1500	3740	495
SHD-2000U	2000	32	1500 / 1800	3350 × 1542 × 1250	1620 × 1500 × 1500	4320	568
SHD-2500U	2500	58	2200 / 2640	3785 × 1710 × 1400	1500 × 1640 × 1640	4400	617
SHD-3000U	3000	58	2200 / 2640	4170 × 1710 × 1400	1500 × 1640 × 1640	4750	700
SHD-3500U	3500	58	2200 / 2640	4470 × 1710 × 1400	1500 × 1640 × 1640	5150	785
SHD-4000U	4000	80	3000 / 3600	4170 × 2020 × 1600	1920 × 1900 × 1900	4970	860
SHD-4500U	4500	80	3000 / 3600	4470 × 2020 × 1600	1920 × 1900 × 1900	5270	940
SHD-5000U	5000	80	3000 / 3600	4820 × 2020 × 1600	1920 × 1900 × 1900	5620	1050
SHD-5500U	5500	80	3000 / 3600	5150 × 2020 × 1600	1920 × 1900 × 1900	5950	1120
SHD-6000U	6000	96	4000 / 4800	4790 × 2220 × 1800	2100 × 2100 × 2100	5590	1210
SHD-6500U	6500	96	4000 / 4800	5050 × 2220 × 1800	2100 × 2100 × 2100	5850	1285
SHD-7000U	7000	128	5500 / 6600	5350 × 2220 × 1800	2100 × 2100 × 2100	6100	1375
SHD-8000U	8000	128	5500 / 6600	5780 × 2220 × 1800	2100 × 2100 × 2100	6580	1445

Note: 1) weight of the machine does not include floor stand.
2) power supply: 3 Φ, 230/400/460/575V, 50/60Hz.

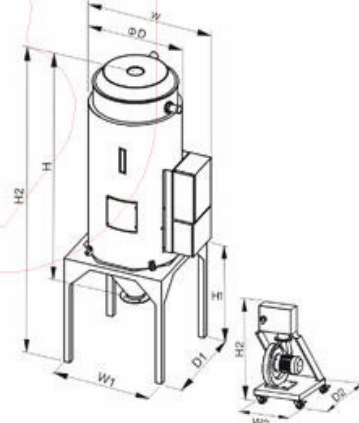
We reserve the right to change specifications without prior notice.



SHD-20U~750U
(Include Floor Stand)



SHD-900U~1200U
(Include Floor Stand)



SHD-1500U~8000U
(Include Floor Stand)

Shini Plastics Technologies, Inc.
Corporate Strategic Center:
 Jinshagang Industrial Zone, Dalang,
 Dongguan, Guangdong, P.R.China.
 Telephone: +86 (0)769 8331 3588
 Facsimile: +86 (0)769 8331 3589
 Email: shini@shini.com
www.shini.com