

Horizontal Belt Conveyors

Shini manufacture three types of belt conveyor under technical license from a leading European manufacturer. The PNL series conveyors feature reliable performance and ease of operation, and are suitable for use with CB or SV series conveyors or as stand-alone units. The height and angle of conveyor is adjustable to suit requirements.

Features:

- Adjustable angle from 0 to +25°.
- Non-slip PU belt with flights height 20mm, pitch 500mm.
- Sidewalls with 75mm height.
- Fixed speed of 6 metres/minute. (50Hz)
- Height adjustable level 350mm to 1350mm from ground to belt.
- Three phase motor with gearbox for voltages 230/400/460/575V, frequency 50/60Hz.

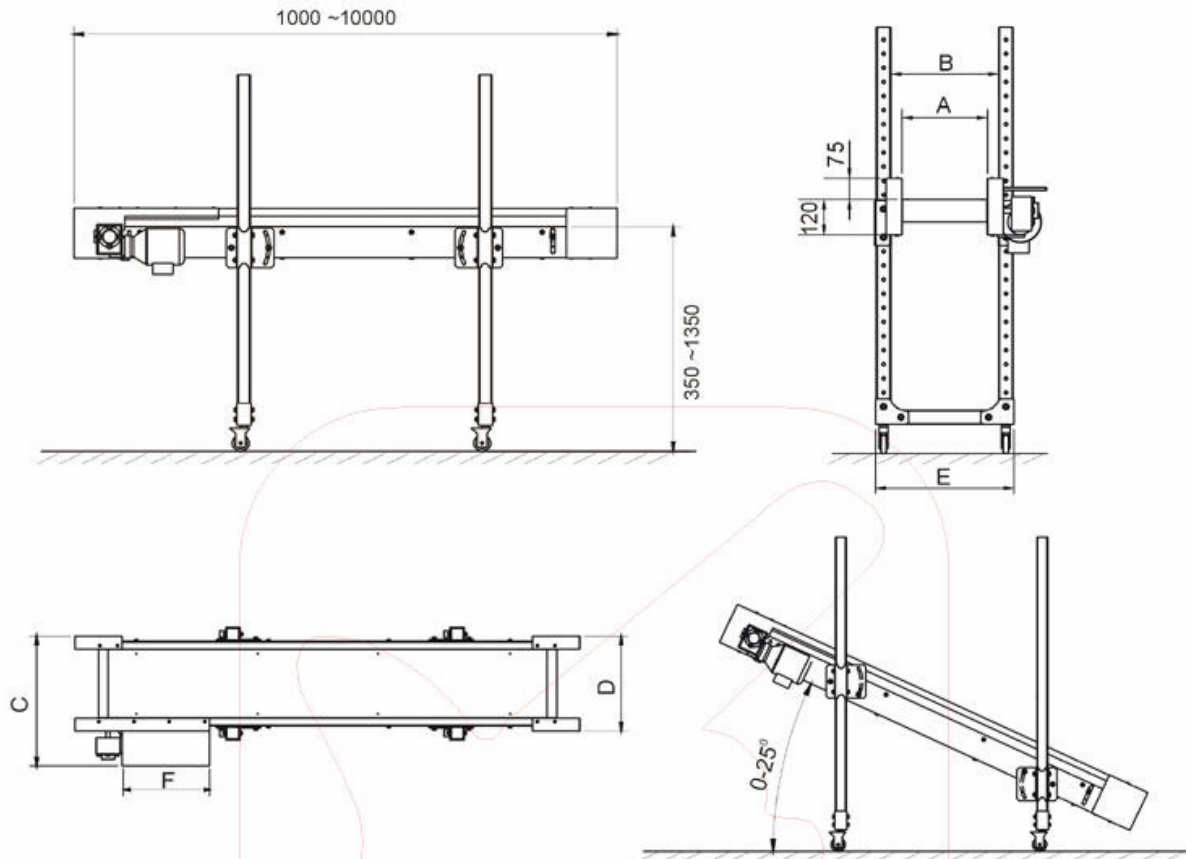


PNL-2



Gear motor and control unit

Outline Drawing



Dimensions

Model	PNL-1	PNL-2	PNL-3	PNL-4	PNL-5	PNL-6	PNL-7	PNL-8
A	220	300	370	500	600	800	1000	1200
B	286	366	436	566	666	866	1066	1266
C	450	530	600	730	830	1030	1230	1430
D	345	430	500	630	730	930	1130	1330
E	404	484	554	684	784	984	1184	1384
F	500	500	500	500	500	500	500	500
Weight (kg)	93	100	106	117	126	143	160	180

We reserve the right to change specifications without prior notice.

Member of SHINI Group

SHINI PLASTICS TECHNOLOGIES, INC.

Headquarters & Factory:

23, Minhe St., Shulin City,
Taipei, Taiwan

Tel: (886) 2 2680 9119

Fax: (886) 2 2680 9229

Email: taipei@shini.com

South China Factory:

Jinshagang Industrial Zone, Dalang,
Dongguan, Guangdong, China

Tel: (86) 769 8331 3588

Fax: (86) 769 8331 3589

Email: dongguan@shini.com

East China Factory:

Daxie Development District, Ningbo,
Zhejiang, China

Tel: (86) 574 8671 9088

Fax: (86) 574 8676 5988

Email: ningbo@shini.com

 www.shini.com

PNL-Jan. 2006/3000 copies