

Decline Belt Conveyors

Shini manufacture three types of belt conveyor under technical license from a leading European manufacturer. The SV series conveyors feature reliable performance and ease of operation, and are suitable for conveying finished product fed from robots to a lower level. The angle and height of conveyor is adjustable.

Features:

- Non-slip PU belt.
- Sidewalls with 34mm height.
- Fixed speed of 6 metres/minute. (50Hz)
- Adjustable angle from -25° to +25°.
- Mounted on height adjustable support legs.
- Three phase motor with gearbox for voltages 230/400/460/575V, frequency 50/60Hz.



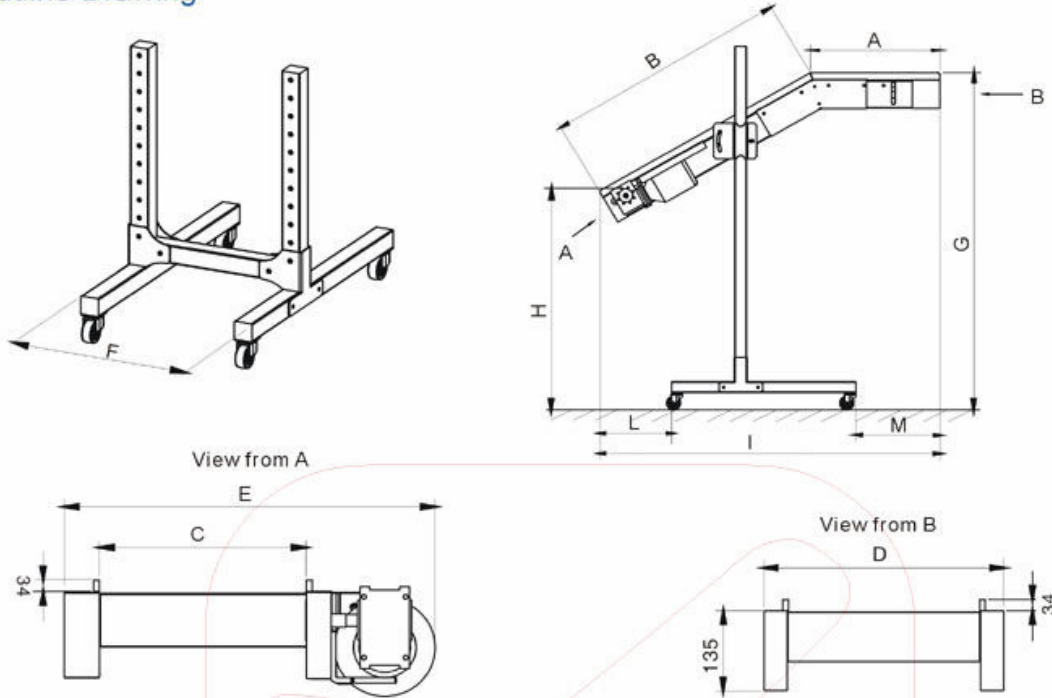
SV-1



Gear motor and control unit



Outline Drawing



Dimensions

Model	SV-1	SV-2	SV-3	SV-4	SV-5	SV-6
A	533	533	533	1033	1033	1033
B	1033	1033	1033	1533	1533	1533
C	300	370	500	370	500	600
D	425	495	625	495	625	1533
E	527	597	727	597	727	600
F	490	560	690	560	690	1533
G	800~1600	800~1600	800~1600	1050~2400	1050~2400	1050~2400
H	320~1120	320~1120	320~1120	320~1670	320~1670	320~1670
I	1470	1470	1470	2400	2400	2400
L	284	284	284	620	620	620
M	379	379	379	670	500	670
Weight (kg)	83	88	93	110	120	130

We reserve the right to change specifications without prior notice.

Member of SHINI Group

SHINI PLASTICS TECHNOLOGIES, INC.

Headquarters & Factory:

23, Minhe St., Shulin City,
Taipei, Taiwan
Tel: (886) 2 2680 9119
Fax: (886) 2 2680 9229
Email: taipei@shini.com

South China Factory:

Jinshagang Industrial Zone, Dalang,
Dongguan, Guangdong, China
Tel: (86) 769 8331 3588
Fax: (86) 769 8331 3589
Email: dongguan@shini.com

East China Factory:

Daxie Development District, Ningbo,
Zhejiang, China
Tel: (86) 574 8671 9088
Fax: (86) 574 8676 5988
Email: ningbo@shini.com

 www.shini.com

SV-Jan. 2006/3000 copies