

Non-sound-proof Central Granulators

SG-23E series non-sound-proof central granulators are built in conform with sound-proof models both in safety configuration, operation security and efficiency. They are suitable for centralized recycling of wastes or rejected parts from injection, blow moulding and extrusion lines. The granulators feature optimizing structure, easy operation, and quick blades changing. Staggered rotating blades can easily grab and cut through the materials and can ensure low energy consumption.

Features:

- Optimizing structure, attractive appearance and no contamination of materials.
- High quality blades ensure durability.
- Staggered blades design can decentralize working load when granulating to increase cutting efficiency.
- Blades retainer is designed for quick blades changing without re-adjustment.
- Equipped with motor overload relay and multiple safety devices.
- Easy access for the convenience of maintenance and cleaning.
- Compact in size for saving floor space and castors for easy moving.
- Economically manufactured to save cost.



SG-2336E



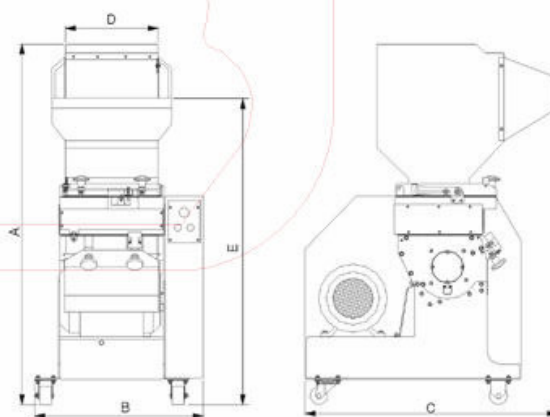
Staggered blades

Specifications

Model	SG-2324E (S)	SG-2336E (S)	SG-2348E (S)
Motor power (kw) (50/60Hz)	5.5/6.6 (4/4.8)	7.5/9 (5.5/6.6)	11/13.2 (7.5/9)
Rotor speed (rpm) (50/60Hz)	415 / 500	415 / 500	415 / 500
Number of fixed blades	2	2	2
Number of rotating blades	3 × 2	3 × 3	3 × 4
Cutting chamber (mm)	230 × 240	230 × 360	230 × 480
Max. throughput capacity (kg/hr) (50/60Hz)	90 / 105	120 / 140	150 / 180
Noise level dB(A)	105~110	105~110	105~110
Material of blades (SKD-11)	✓	✓	✓
Material of blades (SKH-9)	○	○	○
Dia. of screen hole (8mm)	✓	✓	✓
Dia. of screen hole (4,6,10,12mm)	○	○	○
Level detector	○	○	○
Dimensions			
A (mm)	1430	1430	1430
B (mm)	543	663	783
C (mm)	995	995	995
D (mm)	240	360	480
E (mm)	1210	1210	1210
Weight (kg)	320	360	425

- Note: 1) "✓" standard, "○" optional
 2) "S" refers to smaller motor power.
 3) Max. capacity of the machine is subject to diameter of screen hole and composition of the material.
 4) Noise level will vary with different materials and motor types.
 5) SKD-11 and SKH-9 are material code number of Japanese JIS standard.
 6) Power supply: 3Φ, 230/400/460/575V, 50/60Hz.

We reserve the right to change specifications without prior notice.



Member of SHINI Group
SHINI PLASTICS TECHNOLOGIES, INC.

Headquarters & Factory:
 23, Minhe St., Shulin City,
 Taipei, Taiwan
 Tel: (886) 2 2680 9119
 Fax: (886) 2 2680 9229
 Email: taipei@shini.com

South China Factory:
 Jinshagang Industrial Zone, Dalang,
 Dongguan, Guangdong, China
 Tel: (86) 769 331 3588
 Fax: (86) 769 331 3589
 Email: dongguan@shini.com

East China Factory:
 Daxie Development District, Ningbo,
 Zhejiang, China
 Tel: (86) 574 8671 9088
 Fax: (86) 574 8676 5988
 Email: ningbo@shini.com