



# SG-24E

## Series

### "Econ." Screenless Granulators

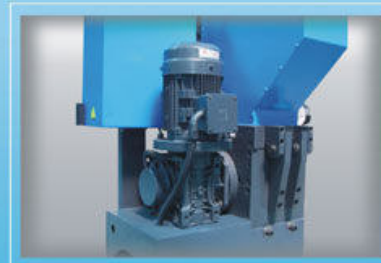
SG-24 series of Screenless Granulators are suitable for instant recycling or granulating hard and thick, long and thin sprues. With "Euro" style appearance and compact size, they feature low rotating speed, low abrasion, super sound-proof. Unique cutting blades design ensures well-proportioned granules and minimal amount of dusts. Easy for material cleaning, they are also easy and safe to operate. Unique transmission design cut the cost and very economical.

#### Features:

- Excellent gear motor features reliable performance, long life and high torque.
- Integral design of teeth cutters and staggered blades makes roughly grinding and fined grinding simultaneously to mix with new materials.
- Even granule with little dust.
- Unique worm and gear transmission design to makes running stably and low noise level.
- Equipped clockwise and anti-clockwise switch will reset after material blockage.
- Euro design with precise structure , little space occupation and easier cleaning.
- Steel plate made feeding hopper has a steady structure and also cut the cost.
- Easy motor installation also gives a much easier disassembly.
- Stainless steel made feeding hopper and storage bin as your options.



SG-2417E



Motor Installation



## Specifications

Model	SG-2417E	SG-2427E	SG-2427HE	SG-2436E	SG-2436HE	SG-2446E
Motor Power (kw)	0.75 / 0.90	0.75 / 0.90	1.5 / 1.9	1.5 / 1.9	2.2 / 2.6	2.2 / 2.6
Rotor Speed (rpm, 50/60Hz)	28 / 33	28 / 33	28 / 33	28 / 33	28 / 33	28 / 33
Staggered Blade Number	1	2	2	3	3	4
Teeth-cutter Number	2	3	3	4	4	5
Cutting Chamber Size (mm)	242 × 174	242 × 270	242 × 270	242 × 366	242 × 366	242 × 462
Maximum Granulating Capacity (kg/hr)	8	12	12	16	16	20
Noise Level dB(A)	65	65	65	67	67	84
Teeth-cutter Material	SKD-11	SKD-11	SKD-11	SKD-11	SKD-11	SKD-11
30 Seconds Instant Recycling System	○	○	○	○	○	○
Proportional Valve	○	○	○	○	○	○
Full Material Alarming Device	○	○	○	○	○	○
Manual Collective Storage Bin	○	○	○	○	○	○

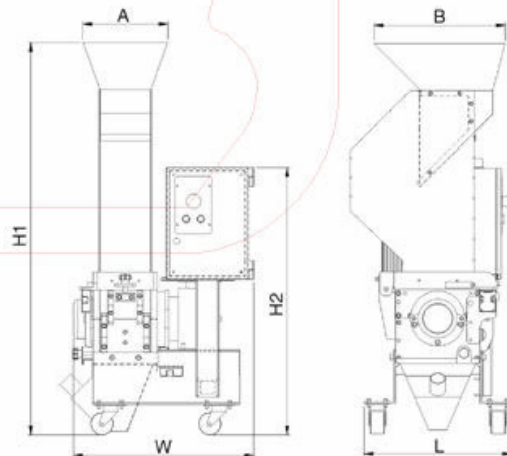
### Dimensions

W (mm)	614	704	704	786	786	886
L (mm)	506	506	506	506	506	506
H1 (mm)	1335	1335	1335	1335	1335	1335
H2 (mm)	909	909	929	929	949	949
A (mm)	290	386	386	482	482	578
B (mm)	449	449	449	449	449	449
Weight (kg)	172	211	215	252	335	340

Note: 1) "○" Stands for options.

- The maximum granulating capacity depends on the size of granule and its material.
- Noise level varies according to different granules.
- SKD-11 is a serial number of Japanese international standard.
- 5mm is a standard teeth-cutter width while 4mm and 6mm as options.
- Power supply: 3Φ, 230/400/460/575V, 50/60Hz.
- The test refers to the following conditions: 1m around and 1.6m above the machine.

We reserve the right to change specifications without prior notice.



## Shini Plastics Technologies, Inc.

Corporate Strategic Center:  
Jinshagang Industrial Zone, Dalang,  
Dongguan, Guangdong, P.R.China.  
Telephone: +86 (0)769 8331 3588  
Facsimile: +86 (0)769 8331 3589  
Email: shini@shini.com  
www.shini.com