

# SG-30E Series

## Non-sound-proof Central Granulators

SG-30E series non-sound-proof central granulators are built in conform with sound-proof models both in safety configuration, operation security and efficiency. They are suitable for centralized recycling of wastes or rejected parts from injection, blow moulding and extrusion lines. The granulators feature optimizing structure, easy operation, and quick blades changing. Staggered rotating blades can easily grab and cut through the materials and can ensure low energy consumption.

### Features:

- Optimizing structure with attractive appearance and no material contamination.
- High quality blades ensure durability.
- Staggered blades design can decentralize working load when granulating to increase cutting efficiency.
- Blades retainer is designed for quick blades changing without re-adjustment.
- Equipped with motor overload relay and multiple safety devices.
- Easy access for the convenience of maintenance and cleaning.
- Compact in size for saving floor space and castors for easy moving.
- Economically manufactured to save cost.



SG-3048E



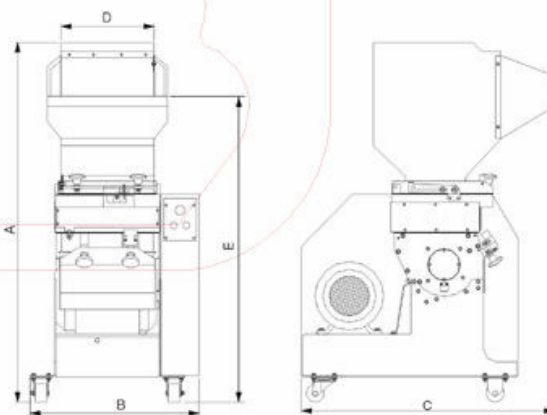
Staggered blades

## Specifications

Model	SG-3048E (H)	SG-3060E (H)
Motor power (kw, 50/60Hz)	11/13.2 (15/18)	15/18 (18/22.2)
Rotor speed (rpm, 50/60Hz)	415 / 500	415 / 500
Number of fixed blades	2	2
Number of rotating blades	3 x 4	3 x 5
Cutting chamber (mm)	300 x 480	300 x 600
Max. throughput capacity (kg/hr) (50/60Hz)	185 / 220	220 / 260
Noise level dB(A)	105~110	105~110
Material of blades (SKD-11)	✓	✓
Material of blades (SKH-9)	○	○
Dia. of screen hole (8mm)	✓	✓
Dia. of screen hole (4,6,10,12mm)	○	○
Level detector	○	○
Dimensions		
A (mm)	1460	1460
B (mm)	810	930
C (mm)	1200	1200
D (mm)	480	600
E (mm)	1330	1330
Weight (kg)	500	530

- Note: 1) "✓" standard, "○" optional  
 2) "H" refers to higher motor power.  
 3) Max. capacity of the machine is subject to diameter of screen hole and composition of the material.  
 4) Noise level will vary with different materials and motor types.  
 5) SKD-11 and SKH-9 are material code number of Japanese JIS standard.  
 6) Power supply: 3Φ, 230/400/460/575V, 50/60Hz.

We reserve the right to change specifications without prior notice.



Member of SHINI Group

### SHINI PLASTICS TECHNOLOGIES, INC.

#### Headquarters & Factory:

23, Minhe St., Shulin City,  
 Taipei, Taiwan  
 Tel: (886) 2 2680 9119  
 Fax: (886) 2 2680 9229  
 Email: [taipei@shini.com](mailto:taipei@shini.com)

#### South China Factory:

Jinshagang Industrial Zone, Dalang,  
 Dongguan, Guangdong, China  
 Tel: (86) 769 331 3588  
 Fax: (86) 769 331 3589  
 Email: [dongguan@shini.com](mailto:dongguan@shini.com)

#### East China Factory:

Daxie Development District, Ningbo,  
 Zhejiang, China  
 Tel: (86) 574 8671 9088  
 Fax: (86) 574 8676 5988  
 Email: [ningbo@shini.com](mailto:ningbo@shini.com)



[www.shini.com](http://www.shini.com)