



# SGF-29 Series

## Roll-feed Granulators

SGF-29 series are applicable to granulating and recycling plastic film. After pressed toughly by a material scroller, films are sent to cutting chamber to be cut into granules to reuse. They feature at easy operation, excellent quality, reasonable price, euro design, and compact size. Low rotating speed reduces the dust, noise and abrasion of knives. Various kinds of safety devices meet the requirement of CE.

### Features :

- Applicable to process extruded waste films, highly operation safety and compact design.
- Cutters with best cutting angle and adjustable rotating blades.
- Integrated material scrolling devices into one unit can facilitate the granulating work by easily scrolling the material into cutting chamber.
- Motor overload protective function is standard and loading blower as an option.
- React with assembly line or operated by specialized person.
- Euro attractive and compact design save more space.
- Width adjustable feeding inlet and thickness adjustor designs facilitate the different film granulating applications.
- Scrolling motor has a frequency convertor to satisfy different film cutting capacity.
- Cutting chamber equipped with a cooling water loop to effectively lower the temp. of the chamber so that improves working efficiency and avoid granule powder from melting up.
- Unique poly v-belt transmission design ensures stable running.



SGF-2928



Material Scrolling Device



## Specifications

Model	SGF-2928	SGF-2942
Cutting Chamber Size (mm)	290x280	290x420
Number Of Fixed Blades	2	2
Number Of Rotating Blades	3	3
Motor Power (KW)	4.0 / 4.2	5.5 / 6.1
Rotor Speed (rpm)	300	300
Scrolling Power (KW)	0.40 / 0.45	0.40 / 0.45
Scrolling Speed (rpm)	*	*
Filter Mesh Dia. (8mm)	✓	✓
Filter Mesh Dia. (6,10,12mm)	○	○
Conveying Blower Power (KW)	0.37 / 0.42	0.37 / 0.42
Maximum Granulating Capacity (Kg/h)	**	**
Noise Level dB(max)	85	85
Knife Material (SKD-11)	✓	✓
Knife Material (SKH-9)	○	○
Dimensions		
W1 (mm)	615	755
W2 (mm)	280	420
H1 (mm)	930	930
H2 (mm)	1115	1115
D (mm)	765	765
Weight (kg)	330	375

Note: 1) "✓" Stands for standard, "○" stands for options.

2) "\*" Stands for different speed according to the thickness of the film.

3) "\*\*" Stands for the maximum granulating capacity is depend on the dia. of the filter mesh hole and different materials etc.

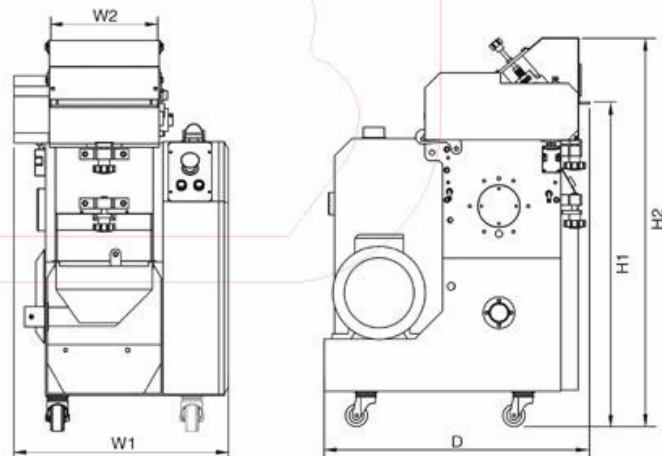
4) Noise level varies when granulating different materials.

5) SKD-11, SKH-9 are serial numbers of JIS.

6) Cooling water flange dia. :  $\Phi 16$ .

7) Power supply; 3 $\Phi$ , 230/400/460/575V, 50/60Hz.

We reserve the right to change specifications without prior notice



### Shini Plastics Technologies, Inc.

Corporate Strategic Center:  
Jinshagang Industrial Zone, Dalang,  
Dongguan, Guangdong, P.R. China.  
Telephone: +86 (0)769 8331 3588  
Facsimile: +86 (0)769 8331 3589  
Email: shini@shini.com  
[www.shini.com](http://www.shini.com)