

特點:

- ▶▶ 料桶和攪拌葉用全不銹鋼製造, 清洗容易, 絕無污染.
- ▶▶ 連鎖安全保護裝置, 確保操作者及機器本身的安全.
- ▶▶ 用料厚, 堅固耐用.
- ▶▶ 短時間內完成均勻混合, 低耗能高效率.
- ▶▶ 自動停止裝置, 可設定0-12分鐘自動停止.

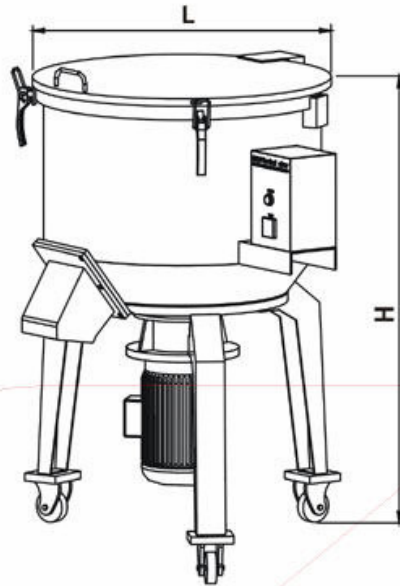
Feature:

- ▶▶ Both mixing pan and vane are made of stainless steel, easy to clear and absolutely no polluting.
- ▶▶ The chain safety device can protect the safety of operator and machine.
- ▶▶ The material is thick, strong and durable.
- ▶▶ Complete mixing can be done in a short time, low energy consumption and high efficiency.
- ▶▶ Time setting can be controlled easily and precisely in the range of 0-12 minutes.



立式拌料機
Vertical mixer

外形尺寸圖 Outline Drawing



立式拌料機規格 SVM Vertical Mixers

機型 Model	馬達功率(kw) Motor Power	混料量*(kg) Mixing Capacity	外形尺寸(mm) Dimension W × H	轉速(rpm) Rev	重量(kg) Weight
SVM-25	1.1	25	510 × 1040	80	90
SVM-50	1.5	50	650 × 1090	80	120
SVM-100	3.0	100	800 × 1300	80	170
SVM-150	4.0	150	910 × 1400	80	250
SVM-200	5.5	200	980 × 1600	80	340

* 正常混料時間約為3分鐘
Normal mixing time approximately is 3 minutes.

產品規格若有變更，恕不另行通知。
We reserve the right to change specifications without prior notice.

信易集團 信易電熱機械股份有限公司

總公司及臺北廠：
臺灣省臺北縣樹林民和街23號
Tel: (886) 2 2680 9119
Fax: (886) 2 2680 9229
Email: taipei@shini.com

www.shini.com

華南廠：東莞信易電熱機械有限公司
廣東省東莞市大朗鎮金沙崗工業區
Tel: (86) 769 8331 3588
Fax: (86) 769 8331 3589
Email: dongguan@shini.com

華東廠：寧波大樹信易電熱有限公司
浙江省寧波大樹開發區樹西工業區
Tel: (86) 574 8671 9088
Fax: (86) 574 8676 5988
Email: ningbo@shini.com