



SAL-UG-124 Series

"One to Four" Euro Separate-vacuum Hopper Loaders

"One to Four" Euro Separate-vacuum hopper loaders are designed and developed on the basis of original Euro separate- vacuum Hopper Loaders. They feature more functions, much easier operation, and more convenient to install. This model, equipped with a high pressure blower and four SHR-U-S type Euro central vacuum hoppers, is applicable to four dehumidifying and drying machines ("all-in-one " compact dryers "SCD"、dehumidifying dryer "SDD") or one gravimetric blenders "SGB" to process plastic materials

Features :

- Four material loading can save much cost.
- With air down blowing design, a part of the dust is removed by cyclone dust separator inside the hopper so that the burden of filter could be effectively reduced.
- Separate hopper receivers are designed in attractive euro style, made by stainless steel, and bringing no contamination to materials.
- Separate dust collector is convenient for dust cleaning.
- The main unit, equipped with vacuum breaking diaphragm valve and the hopper, equipped with diaphragm valve, ensure a smooth shut off during materials conveying.
- Main unit equipped with faults and motor overload indicators can inform faults fast.
- CE safety plug ensures a safe and reliable operation.
- Vacuum breaking diaphragm valves are supplied for every model which will improve efficiency.



SAL-3.5HP-UG-124 (Main Unit)



SHR-6U-S



Specifications

Main Unit				Hopper				Loading Pipe Dia.(mm)	Loading Capacity (kg/hr)
Model	Motor Power (kw) (50/60Hz)	Dimensions (mm) W×D×H	Weight (kg)	Applicable Model	Capacity (L)	Dimensions (mm) W×D×H	Weight (kg)		
SAL-2HP-UG-124	1.5 / 1.9	615 × 545 × 1325	67	4 × SHR-3U-S	3	260 × 380 × 565	4.5	Φ38	500
SAL-3.5HP-UG-124	2.2 / 2.6	615 × 545 × 1325	130	4 × SHR-6U-S	6	305 × 430 × 555	7	Φ38	700
SAL-5HP-UG-124	3.4 / 3.7	615 × 545 × 1325	175	4 × SHR-12U-S	12	335 × 475 × 616	9	Φ38	900

Note: 1) "U" stands for Euro style design, "G" stands for separate main unit design.

"124" stands for one to four conveying function.

2) Loading capacity refers to the following condition: vertical height in 4m.

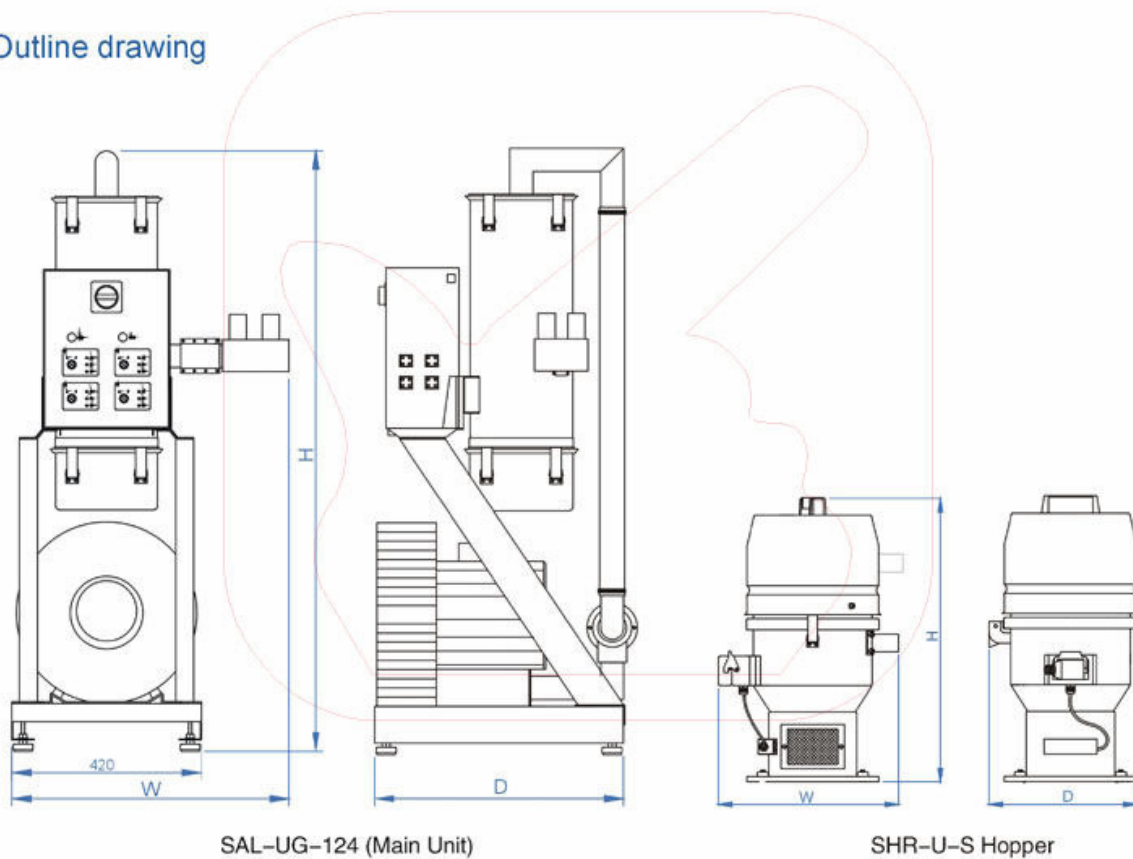
3) Vacuum breaking diaphragm valve is supplied for above models.

4) Noise level < 75dB.

5) Model power supply :3Φ , 230/400/460/575V , 50/60Hz.

We reserve the right to change specifications without prior notice

Outline drawing



Shini Plastics Technologies, Inc.

Corporate Strategic Center:
 Jinshagang Industrial Zone, Dalang,
 Dongguan, Guangdong, P.R.China.
 Telephone: +86 (0)769 8331 3588
 Facsimile: +86 (0)769 8331 3589
 Email: shini@shini.com
www.shini.com