

# SAL-UG Series

## "Euro" Separate-vacuum Hopper Loaders

The "Euro" separate-vacuum hopper loaders are based on an established design and now feature more attractive appearance, better performance, and improved ease of operation. The range comprises seven models equipped with vacuum blower from 1 to 15 HP. Economy models can be offered on request.

### Features:

- Microprocessor control is housed away from main control box to minimise interference and to improve ease of operation.
- Data backed up on EEPROM in case of power failure and does not require back up battery.
- Air down-blowing design allows dust removal by use of cyclone dust separator.
- Separate dust collector makes for easier cleaning.
- Function for setting regrind mix ratio via optional proportioning valve.
- Separate hopper receiver is the clean Euro style design in stainless steel to avoid material contamination.
- Stainless mesh filter as standard. Optional filter cleaning device (model denotes "C" ) and air accumulator (model denotes "A") available for automatic filter cleaning.
- Economy models can be offered on request. (Cloth filter as standard.)



SAL-3.5HP-UG & SHR-24U



SAL-1HP-UG & SHR-6U-E



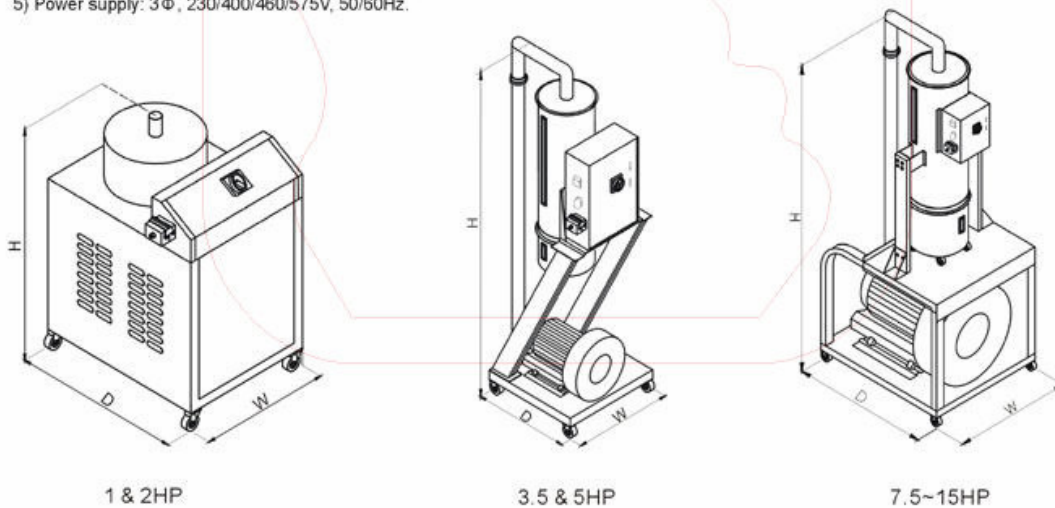
SAL-5HP-UG(S) & SHR-24U

## Specifications

Main Unit				Hopper Receiver				Conveying hose dia. (mm)	*Conveying capacity (kg/hr, 50Hz)
Model	Motor Power (Kw) (50/60Hz)	Dimensions (mm) H x W x D	Weight (kg)	Recommended model	Hopper capacity (L)	Dimensions (mm) H x W x D	Weight (kg)		
SAL-1HP-UG(S)	0.75 / 1.1 (3Φ)	665 × 370 × 405	67	SHR-6U × 1	6	400 × 370 × 275	6	Φ38	300
		(960 × 350 × 405)	(55)	SHR-6U-E × 1		600 × 350 × 265	6		
SAL-2HP-UG(S)	1.5 / 1.9 (3Φ)	665 × 370 × 405	67	SHR-12U × 1	12	450 × 415 × 300	7	Φ38	550
		(960 × 350 × 405)	(55)	SHR-12U-E × 1		690 × 420 × 265	10		
SAL-3.5HP-UG(S)	2.2 / 2.6 (3Φ)	1325 × 420 × 545	130	SHR-24U × 1	24	690 × 415 × 300	9	Φ51	750
		(1110 × 420 × 545)	(118)	SHR-24U-E × 1		1150 × 415 × 350	11		
SAL-5HP-UG(S)	3.4 / 3.7 (3Φ)	1325 × 420 × 545	175	SHR-24U × 1	24	690 × 415 × 300	9	Φ51	900
		(1110 × 420 × 545)	(163)	SHR-24U-E × 1		1150 × 415 × 350	11		
SAL-7.5HP-UG(S)	5.5 / 6.3 (3Φ)	1700 × 580 × 600 (1200 × 460 × 580)	181 (169)	SHR-36U × 1	36	920 × 415 × 300	12	Φ51	1100
SAL-10HP-UG(S)	7.5 / 8.6 (3Φ)	1700 × 580 × 600 (1200 × 460 × 580)	185 (173)	SHR-36U × 1	36	920 × 415 × 300	12	Φ51	1500
SAL-15HP-UG(S)	11 / 13 (3Φ)	2100 × 680 × 800 (1260 × 560 × 800)	226 (214)	SHR-48U × 1	48	975 × 485 × 350	15	Φ63.5	2000

- Note: 1) "G" refers to separate design of main unit and hopper receiver(s).  
 2) "SHR-U-E" refers to glass-tube hopper receiver; "SHR-U" refers to vacuum hopper receiver.  
 3) "S" refers to economical model without dust separating barrel.  
 4) Conveying capacities based on conditions of 4m height and 1m distance.  
 5) Power supply: 3Φ, 230/400/460/575V, 50/60Hz.

We reserve the right to change specifications without prior notice.



Member of SHINI Group

**SHINI PLASTICS TECHNOLOGIES, INC.**

**Headquarters & Factory:**

23, Minhe St., Shulin City,  
 Taipei, Taiwan  
 Tel: (886) 2 2680 9119  
 Fax: (886) 2 2680 9229  
 Email: taipei@shini.com

**South China Factory:**

Jinshagang Industrial Zone, Dalang,  
 Dongguan, Guangdong, China  
 Tel: (86) 769 8331 3588  
 Fax: (86) 769 8331 3589  
 Email: dongguan@shini.com

**East China Factory:**

Daxie Development District, Ningbo,  
 Zhejiang, China  
 Tel: (86) 574 8671 9088  
 Fax: (86) 574 8676 5988  
 Email: ningbo@shini.com

 [www.shini.com](http://www.shini.com)