



SAL-UGP Series

Vacuum Powder Loader

Vacuum powder loaders are designed and developed on the basis of original Euro separate-vacuum hopper loaders. There are 10 models available with blower power ranging from 1~10 HP and also has double phase blower as an option. Different ranges of hoppers are applicable according to their own working situation especially suitable to 30% and 100% powder loading.

Features:

- New microprocessor adopts modularized design, and installed separately from electrical control box to prevent from any interference to comply with western standard.
- The storage chip of the microprocessor use EEPROM and there is no information lost after cutting off the power supply, so there is no need of using backup battery.
- Down blowing design, equipped with a cyclone checking board and a separated dust collective bin to effectively reduce the load of the filter.
- Separated dust collecting bin ensures convenient dust cleaning.
- Circulated mixing of material according to proportional valve set time period.
- Based on customer's requirement, there are two types of filter: bag and board, for 30% and 100% powder conveying respectively. The air accumulator and self-cleaning device are standard equipment.
- Stainless steel made separated hoppers adopt attractive Euro design making no material contamination.
- Main unit works with single and double blower (3.5 HP above) as for customer's choice.
- Choose hopper according to requirement.



SAL-3.5HP-UGP Main Unit



Filter Board

Filter Bag



SHR-P-60U + Hopper



Specifications

Automatic vacuum powder loaders (use filtering bag and applicable to 30% powder loading)

Main Unit		Storage Barrel					Filtering Bag Number	Material Ducting Hole Dia.	Dimensions (mm)	
Model	Motor Type	Model	Loading Pipe Dia.	Volume (L)	Diameter (mm)	Loading Capacity (kg / hr)			(Main Unit) H x W x D	(Barrel) H x W x D
SAL-1HP-UGP	1HP(single Phase) 3Φ	SHR-P-12U	1.5"	12L	Φ270	300	3	665 x 370 x 405	800 x 500 x 320	
SAL-2HP-UGP	2HP(single Phase) 3Φ	SHR-P-30U		30L	Φ380	400	7		1350 x 730 x 430	
SAL-3.5HP-UGP	3.5HP(single Phase) 3Φ	SHR-P-60U	2"	60L	Φ440	800	10	1325 x 420 x 545	1430 x 790 x 490	
SAL-5HP-UGP	5HP(single Phase) 3Φ					1200				
SAL-7.5HP-UGP	7.5HP(single Phase) 3Φ	SHR-P-90U	2.5"	90L	Φ550	1500	19	1700 x 580 x 600	1540 x 900 x 600	
SAL-10HP-UGP	10HP(single Phase) 3Φ					2000				

Automatic vacuum powder loaders (use filtering board and applicable to 100% powder loading)

Main Unit		Storage Barrel					Filtering Board Number	Material Ducting Hole Dia.	Dimensions (mm)	
Model	Motor Type	Model	Loading Pipe Dia.	Volume (L)	Diameter (mm)	Loading capacity (kg / hr)			(Main Unit) H x W x D	(Barrel) H x W x D
SAL-1HP-UGP	1HP(single phase) 3Φ	SHR-P-30U-1	1.5"	30L	Φ380	300	1	665 x 370 x 405	1350 x 730 x 430	
SAL-2HP-UGP	2HP(single phase) 3Φ	SHR-P-30U-2				400	2			
SAL-3.5HP-UGP-D	3.5HP(double phase)3Φ	SHR-P-60U-3	2"	60L	Φ440	800	3	1325 x 680 x 545	1430 x 790 x 490	
SAL-5HP-UGP-D	5HP(double phase) 3Φ					1200				
SAL-7.5HP-UGP-D	7.5HP(double phase)3Φ	SHR-P-90U-5	2.5"	90L	Φ550	1500	5	1700 x 825 x 600	1540 x 900 x 600	
SAL-10HP-UGP-D	10HP(double phase) 3Φ					2000				

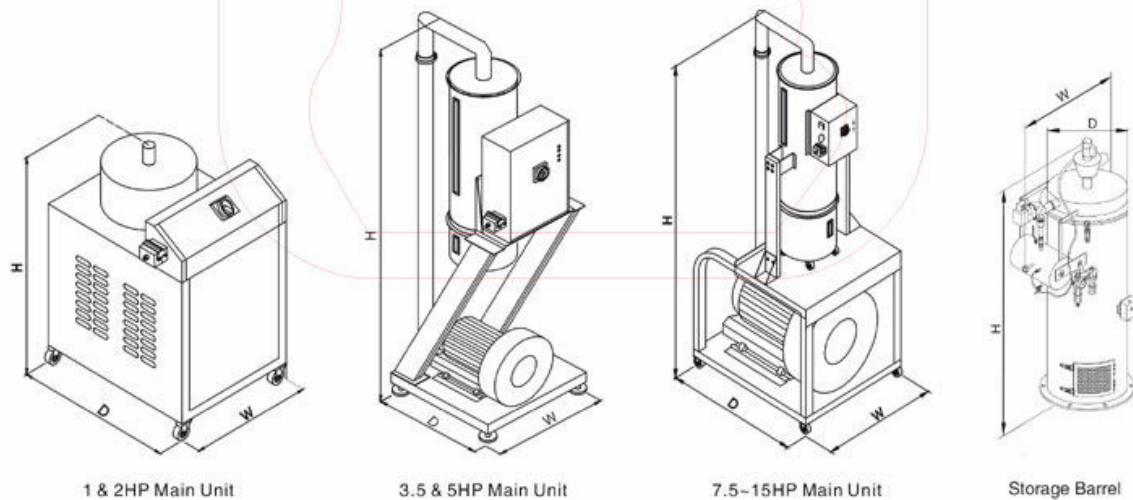
Note: 1) *P*stands for powder loader.

2) Loading capacity refers to the following condition: vertical height in 4m.

3) Power supply: 3Φ, 230/400/460/575V, 50/60Hz.

We reserve the right to change specifications without prior notice

Outline Drawing



Shini Plastics Technologies, Inc.

Corporate Strategic Center:
Jinshagang Industrial Zone, Dalang,
Dongguan, Guangdong, P.R.China.
Telephone: +86 (0)769 8331 3588
Facsimile: +86 (0)769 8331 3589
Email: shini@shini.com
www.shini.com